

HydroTap by Zip Water

Full Residential Brochure



FILTERED | INSTANT | **BOILING** | CHILLED | SPARKLING



Experience water at its best

Featured product:

HydroTap Celsius Plus All-In-One with Pull-Down Sprayer in Chrome

CONTENTS

HydroTap Overview and Selector Guide	3-4
Celsius Range Faucets	5-7
Celsius Plus All-In-One with Pull-Down Sprayer	6
Celsius Plus All-In-One	7
Design & Classic Range Taps	8-14
Arc Plus	9
Cube Plus	10
Elite Plus	11
Classic Plus	12
Touch-Free Wave	13
Classic	14
Legacy Taps/Faucets	15-18
Arc	16
Cube	17
Celsius All-in-One	18
Maintenance, Aftercare and Technical Info	19-22



The HydroTap is more than just a faucet

The HydroTap by Zip Water is a multi-function tap that will transform the way you view, and use your water. With the ability to instantly dispense filtered boiling, chilled and sparkling water (plus unfiltered hot/cold with our all-in-one models), the HydroTap will arguably become the most used appliance in your kitchen.

Explore the benefits of a HydroTap in your home.

Culinary convenience

With filtered boiling, chilled and sparkling water on tap, you can easily blanch vegetables, start a pot with boiling water for pasta, create fluffier batters and so much more.



Entertaining made easy

Elevate your entertaining by offering your guests water in a format they will love. From sparkling cocktails to quick snacks, the HydroTap is sure to please.



Stylish sustainability

Eliminate the countertop clutter and ditch the single-use plastics and cans of sparkling when you upgrade to a stylishly-design HydroTap by Zip Water.



Water at its best

From pure-tasting, filtered boiling, chilled or sparkling water to unfiltered hot & cold water, the HydroTap by Zip Water dispenses water the way you want it.



HydroTap product selector

Whether you are looking for a kitchen sink replacement faucet or a secondary tap to be installed away from the sink, we have a HydroTap system to suit your needs.

Choose from the options below to configure your perfect HydroTap system.

1. Choose your water option...

Only Available with Celsius All-In-One Taps:

	
FILTERED:	UNFILTERED:
BOILING	HOT & COLD
CHILLED	
SPARKLING	

2. Choose your faucet/tap style...



Celsius Plus All-In-One with Pull-Down Sprayer





Celsius Plus All-In-One




Celsius All-In-One
**While supplies last*

Available with Classic and Design Range Taps:


FILTERED:
BOILING
CHILLED
SPARKLING


FILTERED:
BOILING
CHILLED


FILTERED:
CHILLED
SPARKLING



Arc Plus



Cube Plus



Touch-Free Wave



Arc
**While supplies last*



Classic Plus



Elite Plus



Classic



Cube
**While supplies last*

3. Choose your finish...



CHROME

BRUSHED CHROME

MATTE BLACK

BRUSHED GOLD

BRUSHED NICKEL

GUNMETAL

The HydroTap Celsius Plus All-in-One with Pull-Down Sprayer, Celsius Plus All-in-One, Arc Plus, Cube Plus, Elite Plus and Classic Plus taps are available in all six finishes.

The HydroTap Classic tap is only available in Chrome, Brushed Chrome and Matte Black.

The HydroTap Touch-Free Wave tap is only available in Chrome (BCS, BC and CS models) and Matte Black with Chrome Accents (BCS and BC models).

Featured product
HydroTap Celsius Plus All-in-One with
Pull-Down Sprayer in Brushed Gold



HydroTap by Zip Water

Celsius Range Faucets

Celsius Plus All-In-One with Pull-Down Sprayer

Featured product
HydroTap Celsius Plus All-in-One with Pull-Down
Sprayer in Matte Black installed over the sink

Make the ultimate design statement in the kitchen with the first-of-its-kind all-in-one tap with pull-down sprayer. This innovative kitchen faucet instantly dispenses filtered boiling, chilled and sparkling water plus unfiltered hot and cold water with the added convenience of an artfully incorporated pull-down sprayer. Available in six modern finishes to suit any kitchen.



*This product needs a hot and cold water supply

Available water options & finishes:

FILTERED:	UNFILTERED:
BOILING	HOT & COLD
CHILLED	
SPARKLING	



CHROME BRUSHED CHROME MATTE BLACK BRUSHED GOLD BRUSHED NICKEL GUNMETAL



The HydroTap Celsius Plus All-in-One with Pull-Down Sprayer should be installed over the sink as the primary faucet. This faucet requires a 2" hole in the countertop for installation.

Celsius Plus All-In-One

Featured product
HydroTap Celsius Plus All-in-One in
Chrome installed over the sink

Form meets function with the Celsius Plus All-in-One. Intended for installation over a sink in the kitchen or wet bar, the Celsius Plus All-in-One instantly dispenses filtered boiling, chilled and sparkling water, plus unfiltered hot & cold water. And it's all wrapped up in Zip Water's enduringly stylish design.



Available water options & finishes:

*This product needs a hot and cold water supply

FILTERED:		UNFILTERED:	
BOILING		HOT & COLD	
CHILLED			
SPARKLING			



CHROME



BRUSHED
CHROME



MATTE
BLACK



BRUSHED
GOLD



BRUSHED
NICKEL



COPPER
METAL



The HydroTap Celsius Plus All-in-One should be installed over the sink as the primary faucet. This faucet requires a 2" hole in the countertop for installation.

HydroTap by Zip Water

Design & Classic Range Taps



Featured product
HydroTap Classic Plus in
Brushed Chrome

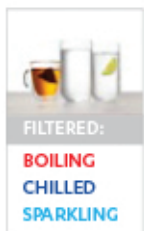
Arc Plus

Featured product
HydroTap Arc in Chrome
installed with optional design font

Timeless and enduringly classic, the HydroTap Arc Plus is an elegant choice and can be installed as a secondary tap on the sink or as a standalone tap when installed over an optional Design Range font. With its curved 'swan neck', it will complement any design – from traditional to contemporary.



Available water options & finishes:



CHROME



BRUSHED
CHROME



MATTE
BLACK



BRUSHED
GOLD



BRUSHED
NICKEL



GUNMETAL



The HydroTap Arc Plus tap can be installed over the sink as a secondary tap or on an optional design range font. This tap requires a 1-3/8" hole for installation.

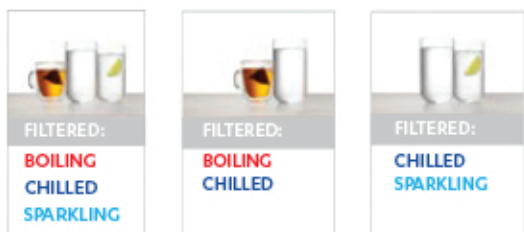
Cube Plus

Featured product
HydroTap Cube in Matte Black installed
over the sink as the secondary tap

For a truly contemporary twist on a classic, the HydroTap Cube Plus is a modern kitchen's dream. A design statement in its own right, the angular Cube Plus echoes a square shape, which is softened by its rounded corners. Like the Arc Plus, this tap can be installed as a secondary tap on the sink or as a standalone tap when installed over an optional Design Range font.



Available water options & finishes:



The HydroTap Cube Plus tap can be installed over the sink as a secondary tap or on an optional design range font. This tap requires a 1-3/8" hole for installation.

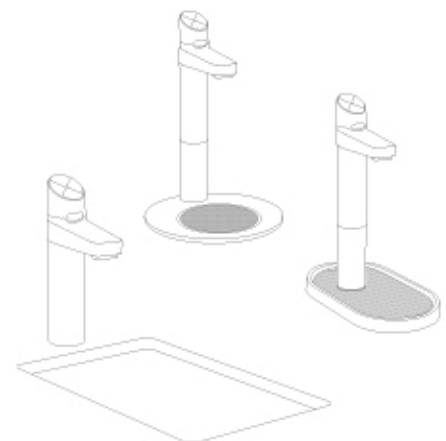
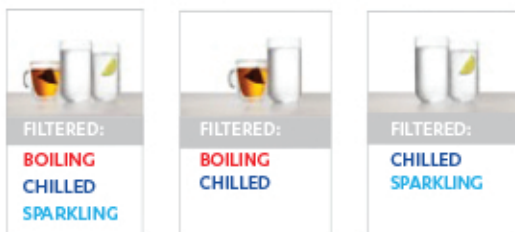
Elite Plus

Featured product
HydroTap Elite Plus in Gunmetal
installed over the sink as the secondary tap

If minimalist and understated is more your style in the heart of the home, the streamlined design and clean lines of the HydroTap Elite Plus are sure to please.



Available water options & finishes:



The Elite Plus tap can be installed over the sink as a secondary tap or on an optional font. This tap requires a 1-3/8" hole for installation.

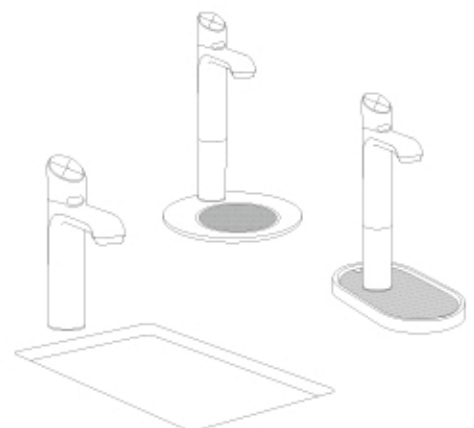
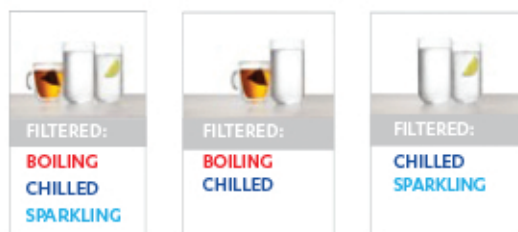
Classic Plus

Featured product
HydroTap Classic Plus in Chrome
installed with optional design font

The Classic Plus pairs iconic design with an intuitive touchpad making it the perfect complement to any kitchen or wet bar.



Available water options & finishes:



The Classic Plus tap can be installed over the sink as a secondary tap or on an optional font. This tap requires a 1-3/8" hole for installation.

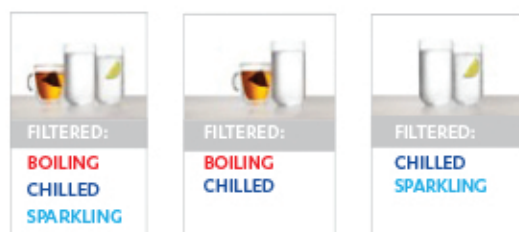
Touch-Free Wave

Featured product
HydroTap Touch-Free Wave in Chrome
installed over the sink

To reduce shared touchpoints, the HydroTap Touch-Free Wave provides a 100% touch-free solution to instantly dispense pure-tasting drinking water with a simple wave of the hand. .



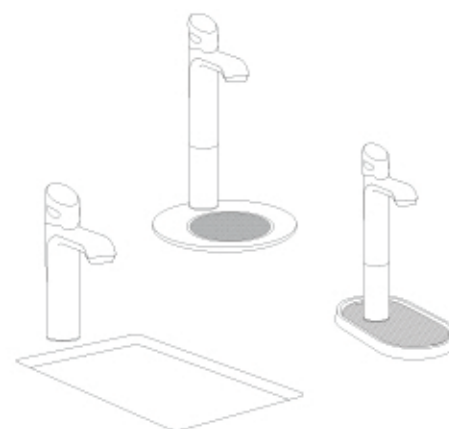
Available water options & finishes:



CHROME



MATTEBLACK WITH
CHROMEACCENTS



The Touch-Free Wave tap can be installed over the sink as a secondary tap or on an optional font. This tap requires a 1-3/8" hole for installation.

Classic

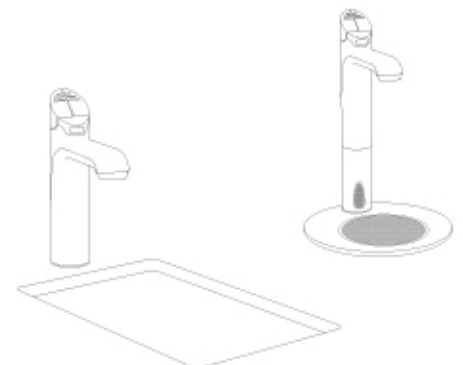
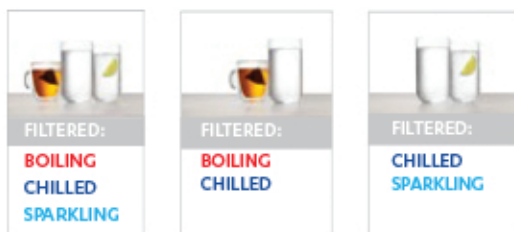
Featured product

HydroTap Classic in Matte Black installed over optional Classic Range integrated font

The iconic design of the HydroTap Classic remains a much-loved and popular choice suited to any kitchen or wet bar..



Available water options & finishes:



The Classic tap can be installed over the sink as a secondary tap or on an optional font. This tap requires a 1-3/8" hole for installation.

Featured product
HydroTap Cube in Matte Black
with Optional Drain Font



HydroTap by Zip Water

Legacy Taps

Celsius All-In-One

Featured product
HydroTap Celsius All-in-One in Matte Black
installed over the sink

Only available while supplies last.

The ultimate in functionality, the Celsius All-In-One is fitted over your sink and offers all five water types – filtered boiling, chilled and sparkling drinking water, plus unfiltered hot & cold water – from a single tap. And it's all wrapped up in Zip Water's enduringly stylish design.



*This product needs a hot and cold water supply

Available water options & finishes:

FILTERED:		UNFILTERED:	
BOILING		HOT & COLD	
CHILLED			
SPARKLING			



The HydroTap Celsius All-in-One should be installed over the sink as the primary faucet.

Arc

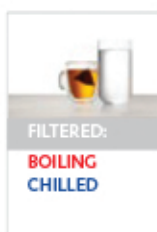
Featured product
HydroTap Arc in Brushed Gold installed
over the sink as the secondary tap

Only available while supplies last.

Timeless and enduringly classic, the HydroTap Arc is an elegant choice. With its curved 'swan neck', it will complement any kitchen – from traditional to contemporary.



Available water options & finishes:



CHROME



BRUSHED
CHROME



MATTE
BLACK



BRUSHED
GOLD



POLISHED
NICKEL



BRUSHED
NICKEL



COPPER
METAL



The HydroTap Arc tap can be installed over the sink as a secondary tap or on an optional font.

Cube

Featured product
HydroTap Cube in Chrome
installed with optional design font

Only available while supplies last.

For a truly contemporary twist on a classic, the HydroTap Cube is a modern kitchen's dream. A design statement in its own right, the angular Cube echoes a square shape, which is softened by its rounded corners.



Available water options & finishes:

 <p>FILTERED: BOILING CHILLED SPARKLING</p>	 <p>FILTERED: BOILING CHILLED</p>	 <p>FILTERED: CHILLED SPARKLING</p>				
 <p>CHROME</p>	 <p>BRUSHED CHROME</p>	 <p>MATTE BLACK</p>	 <p>BRUSHED GOLD</p>	 <p>POLISHED NICKEL</p>	 <p>BRUSHED NICKEL</p>	 <p>GUNMETAL</p>



The HydroTap Cube tap can be installed over the sink as a secondary tap or on an optional font.

The safe and sustainable choice

Sitting beneath a sleek and stylish tap, our HydroTap command center houses the latest in advanced energy-efficient technology.

1 MILLION plastic bottles are purchased globally every **MINUTE**. More than **2/3** ending up in **landfills and our oceans**.*



Smart energy saving modes
that powers down the unit when not in use

Eliminates the need for bottled water
reducing your environmental impact

Utilizes air-cooled technology
making HydroTap 100% water efficient

World class environmental credentials
providing transparent product lifecycle impact

*<https://www.beyondplastics.org/fact-sheets/plastic-water-bottles>

Maintenance, warranty and aftercare

It's important to perform routine maintenance on your HydroTap to keep it running at peak performance. This includes changing the filter at least once per year (or every 1,100 gallons/4,163 litres) and monitoring your CO₂ levels for our HydroTap Boiling/Chilled/Sparkling (BCS) and Chilled/Sparkling (CS) models.

To make it easy, Zip Water offers installation and warranty repairs provided by our own certified technicians and Zip Water trained third-party partners. Parts and labor maintenance programs are available in certain areas.* This includes annual filter change and unlimited Co2 replenishment.

What's more, your HydroTap system is backed by a comprehensive parts and labor warranty.



3
Year
Warranty
Parts and labor
Terms and conditions apply

*Available in most metro areas

Installation Requirements

Power: 1 x 110 – 120V, 50-60Hz, power supply with Nema 5-15 outlet

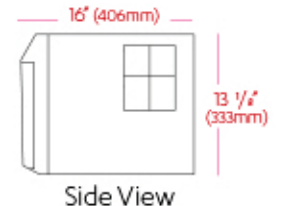
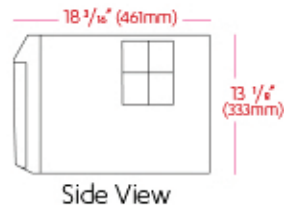
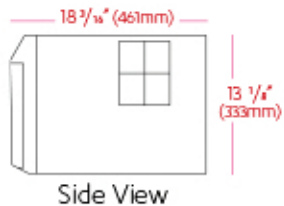
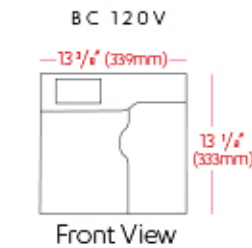
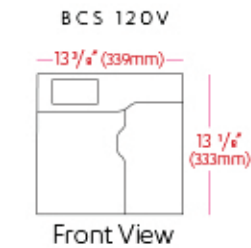
Water:

- Water connection:
 - 1 x 1/2" BSP water connection with isolation valve for Arc Plus, Cube Plus, Elite Plus, Classic Plus, Classic and Touch-Free Wave models
 - 2 x 1/2" BSP water connection with isolation valve for Celsius Plus All-in-One and Celsius Plus All-in-One with Pull-Down Sprayer models
- Water pressure: 37 – 100 psi / 2.60 - 7.03kg/cm² / 250-270kPa
- Minimum flow rate: 1 gpm / 3.79 lpm
- Optimal Total Dissolved Solids (TDS) range: 50ppm – 150ppm

Ventilation: Cabinet floor cutout of 12.3125" (314mm) must be made in the front above the toekick. Additionally, the unit must have a minimum of 2" (50mm) clearance on left and right side and 8" (200mm) above for proper ventilation.



Technical Information - Command Centers



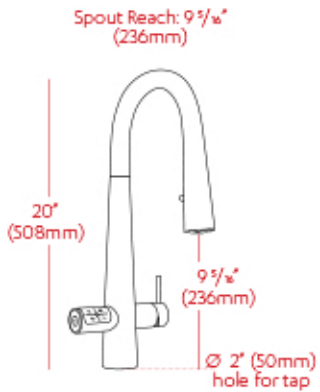
For detailed product specifications and installation information, scan the QR code or visit na.zipwater.com/product-information.



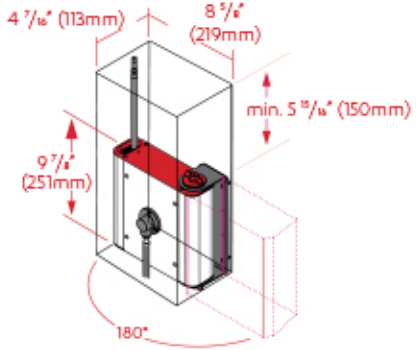
Technical Information - Taps and Faucets

Celsius Range Taps / Faucets

Celsius Range Taps / Faucets require a 2" hole and must be installed over a sink.



Celsius Plus All-In-One with Pull-Down Sprayer



Hose Management System



Celsius Plus All-In-One

Design Range and Classic Range Taps

Design Range and Classic Range taps can be installed over the sink as a secondary accessory tap or away from the sink over an optional drain front / drip tray.



Arc Plus



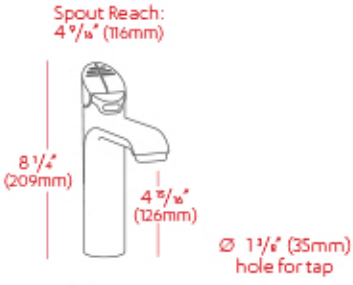
Cube Plus



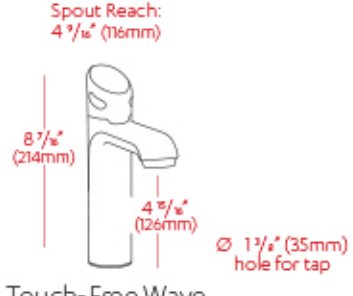
Classic Plus



Elite Plus



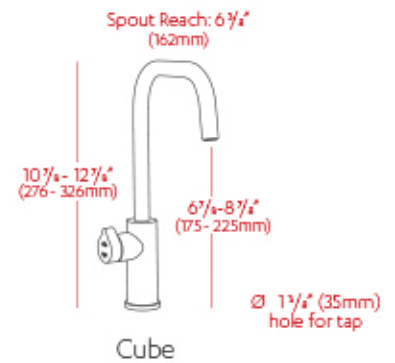
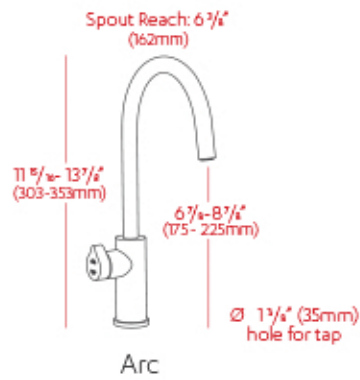
Classic



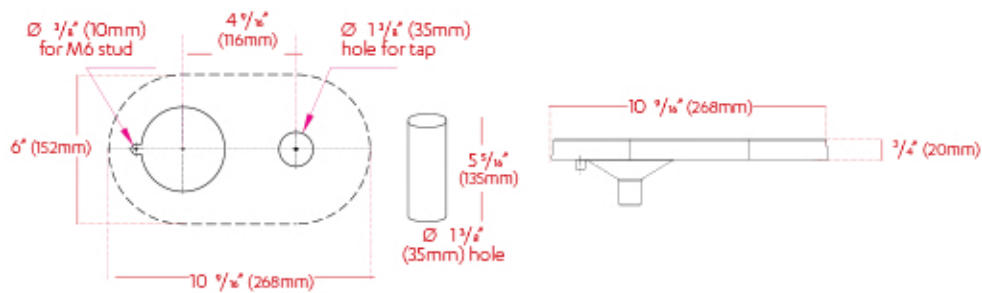
Touch-Free Wave

Legacy Taps / Faucets

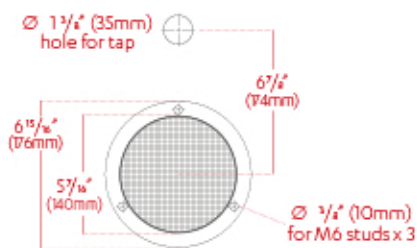
These taps/faucets are only available while supplies last. Please see individual product specs for detailed info in information.



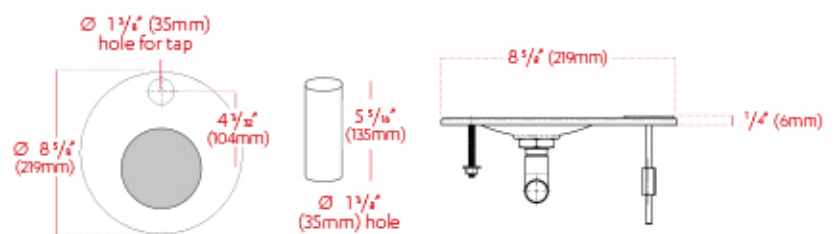
Technical Information - Accessories



Classic Range Raised Font for Classic Plus, Elite Plus, Classic and Touch-Free Wave



Stand Alone Design Range Font for Arc and Cube



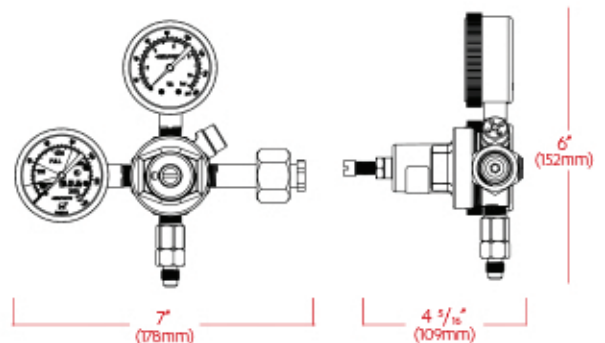
Classic Range Integrated Font for Classic Plus, Elite Plus, Classic and Touch-Free Wave



1.5lb CO₂ Canister



5lb CO₂ Canister



CO₂ Regulator



HYDROTAP | FILTERED | INSTANT | **BOILING** | CHILLED | SPARKLING

**CLEAN WATER,
CLEAR MIND.**



**AQUA-WISE.COM
WATER SOLUTIONS**



AQUA WISE SOLUTIONS LLC
4344 Cold Harbor Dr, New Port Richey FL 34653
Customer Service:AquaWiseUSA@gmail.com Phone: +1 727 236 7161

Tampa • Clearwater • St. Petersburg • Lutz • New Port Richey



na.zipwater.com

Toll-free number - North America +1 (833) 233 2358 | Email - wecare@na.zipwater.com

© 2024 Zip Water. All Rights Reserved.